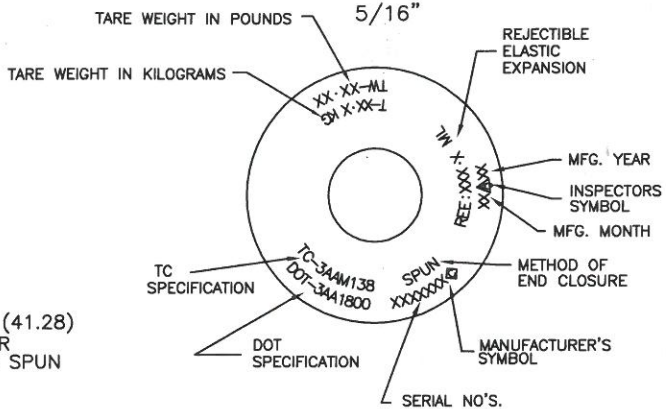
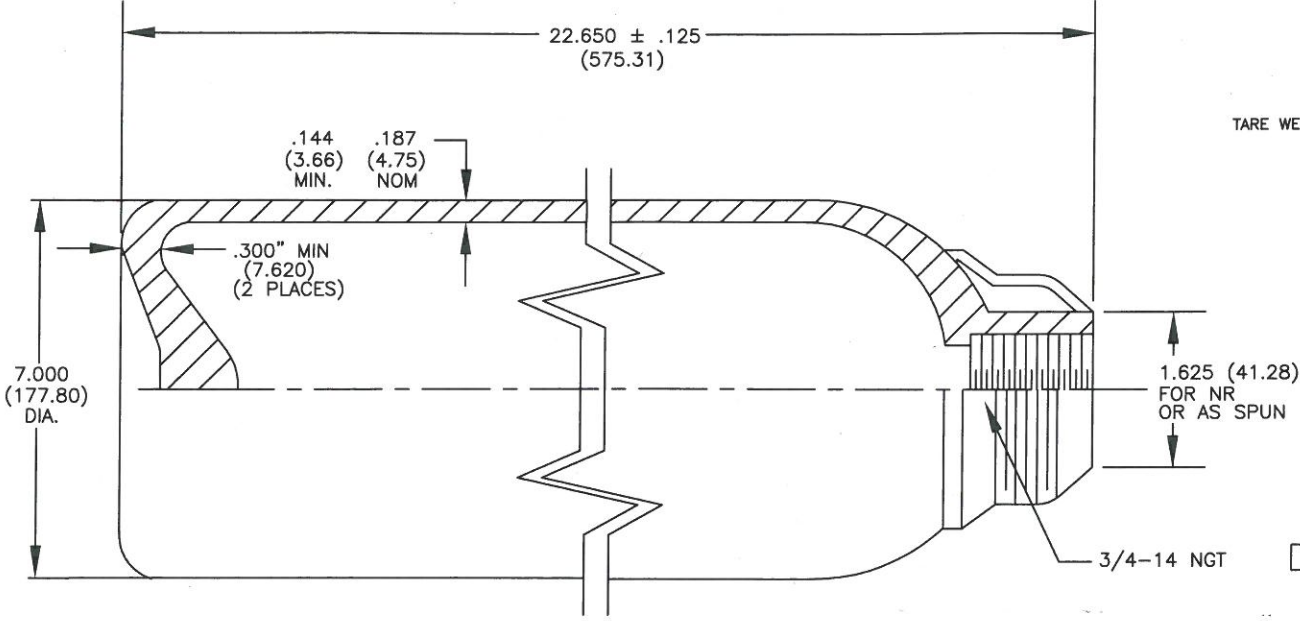
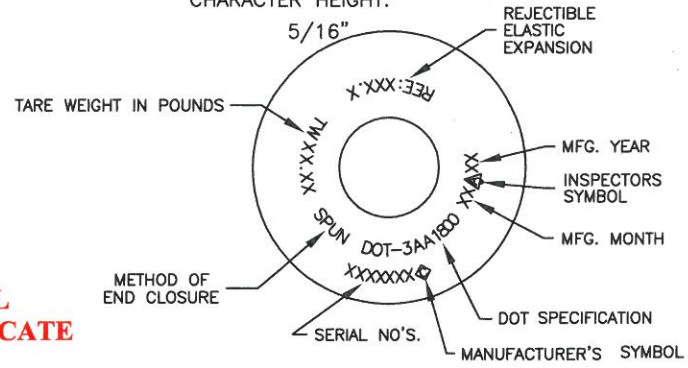


DOT/TC STAMPING LAYOUT
(NOT TO SCALE)
CHARACTER HEIGHT:
5/16"



DOT STAMPING LAYOUT
(NOT TO SCALE)
CHARACTER HEIGHT:
5/16"



SPECIFICATION	DOT-3AA	TC-3AAM
WEIGHT	32 LBS NOM	14.5 KG NOM
VOLUME	660 CU IN NOM	10.8 L NOM
SERVICE PRESSURE	1,800 PSIG	138 BAR
TEST PRESSURE	3,000 PSIG	20.68 MPA

- MATERIAL: A519 4130
- INTERNAL CLEANING: ALKALINE-STEAM-NITROGEN PURGE
- EXTERNAL FINISH: SHOTBLAST
PAINT PER WORK ORDER
- PACKAGING: PLUG INLET WITH 3/4" NPT PLUG (5743)
RUBBER BAND / PALLETIZE / STRETCH WRAP

- NOTES:
- NECKRING - IF SPECIFIED ON WORK ORDER, 3 1/8-11 NS CAP THREAD X 1 5/8 BORE X 1 7/8 HEIGH, UNEMBOSSED NECKRING PART NUMBER, (4004).
 - CAP - IF SPECIFIED ON WORK ORDER, 3 1/8-11 NS THREAD PART NUMBER, (820-0001F).

**CONFIDENTIAL
DO NOT DUPLICATE**

**NON-CONTROLLED DOCUMENT
QA/PC DEPARTMENT
REFERENCE ONLY**

1	ADD TC FORMAT	DLH	1/6/11
REV	DESCRIPTION	BY	DATE
UNITS INCHES (mm)		HUNTSVILLE FACILITY 521 GREEN COVE ROAD HUNTSVILLE, AL 35803 USA	
TOLERANCES (EXCEPT NOTED)		TITLE	15 LB CO2 SPUN (BILLET TUBE) CYLINDER
DECIMAL ± .01	DATE	11/3/10	DRAWING NUMBER
ANGULAR ± 1 DEG	SCALE	NONE	2740724-55