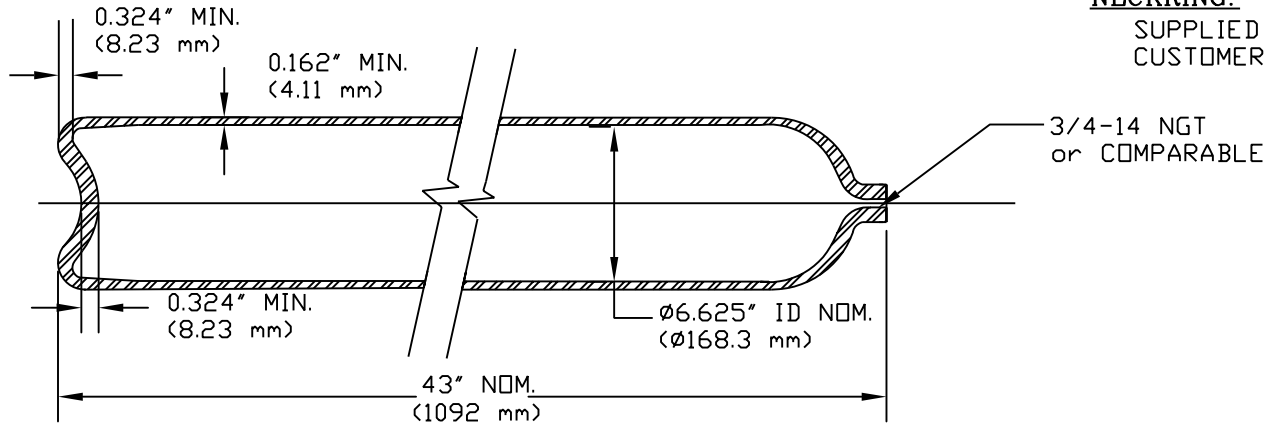


REV.	ECN - DESCRIPT.	DATE	DRWN.	CHKD.	APP.
01	ECN # 1454				



NECKRING:
 SUPPLIED AT
 CUSTOMER REQUEST

**DRAWING FOR
 REFERENCE ONLY**

SPECIFICATION: DOT 3AA 2265/ TC3AAM173

MODEL: 6BC125

1. Principal Elements: - Min. water capacity: 47.6 lb (21.6 kg) - Min. water volume: 1320 in ³ (21.6 liter) - Approx. Cyld. weight: 59 lb (26.7 kg) (w/o fittings) - DOT Service pressure: 2265psi (156.2 bar) - TC Service pressure: 173 bar - Test pressure: 3775psi (260.3 bar)	3. Manufacture: Hot billet pierce followed by hot drawing. 4. Heat Treatment: Q & T
2. Material: Chrome-Moly steel, (A.I.S.I. 4130X)	5. Norris Standard Mechanical Properties: - Tensile: \geq 105,000 psi (724 MPa) - Elong: \geq 20% (on 2" gauge) - Flattening: to 6xt without cracks

D.O.T. Wall Stress Calculations: $S = P(1.3D^2 + 0.4d^2)/(D^2 - d^2)$

$$S = \text{Maximum wall stress, psi} \quad s = \frac{3775 [1.3 (6.949)^2 + 0.4 (6.625)^2]}{(6.949)^2 - (6.625)^2}$$

$$P = \text{Test pressure, psi}$$

$$D = \text{Outside diameter, inch}$$

$$d = \text{Inside diameter, inch}$$

$$s = 68,953 \text{ psi (475.4 MPa)}$$

$$\text{Required Minimum tensile:} = \frac{68,953}{0.67} = 102,915 \text{ psi (709.6 MPa)}$$

SCALE		DRAWING NO.		REV.
NOT TO SCALE		901A-B-9212		01
DWN. BY	S. JOHNSON	10/30/91		
CHK'D BY	R. Shafrkey	10/30/91		
APP'D BY	B. Arnold	10/30/91	SHEET NO. 1	OF 1 SHEETS



NORRIS CYLINDER COMPANY

P.O. BOX 7486 LONGVIEW, TEXAS 75607

REFILLABLE SEAMLESS STEEL
 GAS CYLINDER, MODEL 6BC125/TC